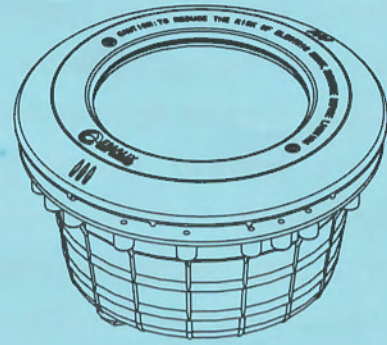


NP300 Series Underwater Light User Manual



General Information

Never install in vertical position with the lamp facing upwards / downwards,

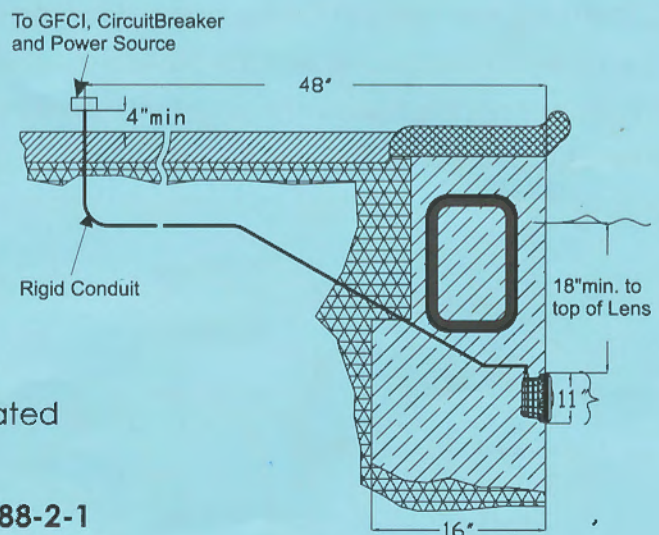
Intended for fresh & salt water swimming pool

A) Ensure that the electrical system of your pool conforms to the following requirements of all local codes and ordinances. A licensed or certified electrician must install the electrical system to meet or exceed those requirements before the niche (fixture-housing) is installed.

B) Installation Guideline:

- 1) The top of the light lens be at least 18 inches (457mm) below the water level. Some installers position the niche 24 inches (610mm) below anticipated water level to avoid any inspection authority issues with this requirement.
- 2) The lighting circuit must have a Ground Fault Circuit Interrupter (GFCI), and an appropriately rated circuit breaker.
- 3) The junction box or the low voltage transformer is located at least 8 inches (203mm) above water level and, at least 48 inches (1912mm) from the edge of the pool
- 4) The light fixture and all metal items within 5 feet (1534mm) of the pool must be properly electrically bonded.
- 5) The niche must be properly installed so that the "Top" sign inside is at the 12 o'clock position and that the top edge of the underwater light's lens is at least 18 inches (457mm) below the surface of the water in the pool
- 6) The niche is properly electrically bonded and grounded via a ground connector located at the rear of the niche

C) Terminal Block must meet the IEC60988-2-1 standard having the rated connecting capacity of

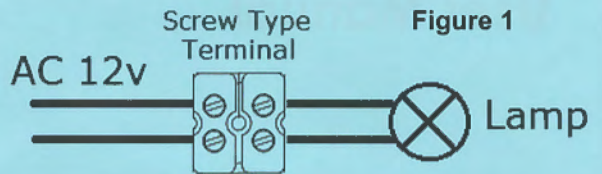


Installation Diagram for NP300

4.0mm², use of screw type terminal at least 25A rated current, mounted inside junction boxes, see the figure 1 below

D) Use only EMAUX lighting fixtures in this niche to ensure proper bonding and grounding connections.

∅(For US user, please also follow the requirements of the National Electrical Code (NEC))



Niche Installation

Concrete swimming pool

- 1) To install the underwater lighting in a concrete swimming pool, the niche should be fixed in the wall of the swimming pool. Be sure the top of the niche be at least 18 inches (457mm) below the water level, and the TOP sign of the niche is at the 12 o'clock position.
- 2) There are two conduits at the back of the niche, please chose one which is most convenient to your wiring design and seal the other one with the plug provided.
- 3) Concreting the pool as shown in figure 2.

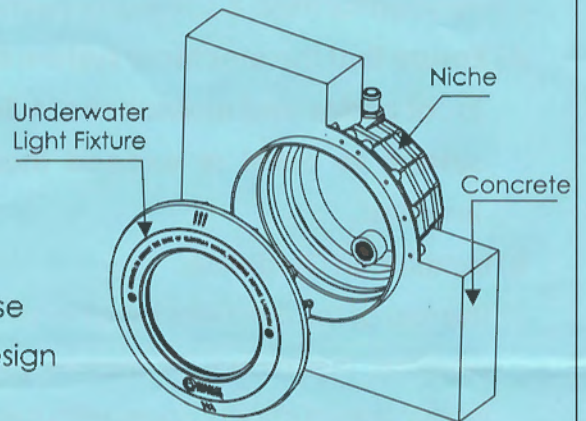


Figure 2

Concrete swimming pool with vinyl liner

- 1) To install the underwater lighting in a concrete swimming pool with vinyl liner, the niche should be fixed in the wall of the swimming pool. Be sure the top of the niche be at least 18 inches (457mm) below the water level, and the TOP sign of the niche is at the 12 o'clock position.
- 2) There are two conduits at the back of the niche, please chose one which is most convenient to your wiring design and seal the other one with the plug provided.
- 3) Punch or drill the holes in the vinyl liner as stated in figure 3.
- 4) Install the Niche as shown in figure 4.

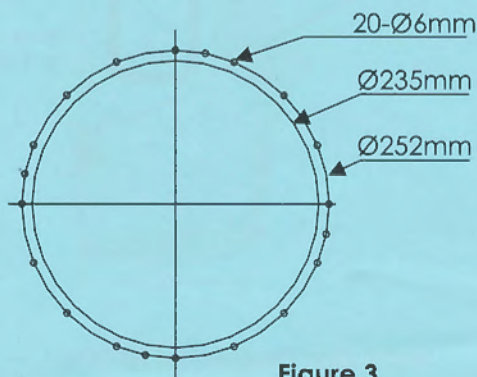


Figure 3

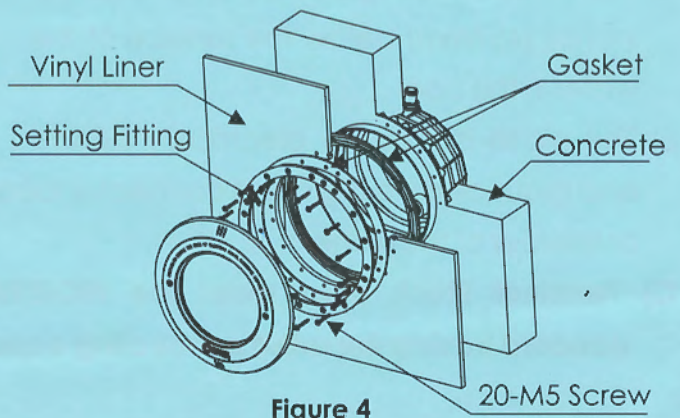


Figure 4

Installation of the stainless steel or plastic lid

- 1) Remove the old lid by unscrewing the two M6 screw on the lid. Note that the O ring, nuts slide block and the fastening dog will be loosen too by removing the M6 screws on the lid, as shown in figure 5.
- 2) Install the new plastic lid or stainless steel lid as shown in figure 6, make sure the screws hole are aligned. Fasten the M6 screw on the lid.

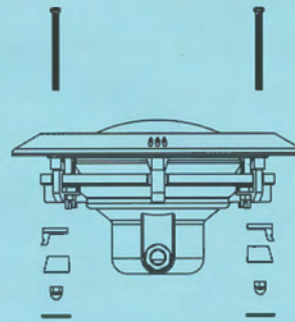


Figure 5

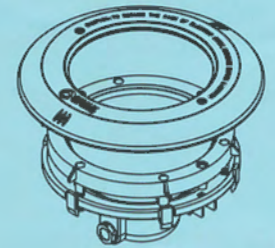


Figure 6

Underwater light fixture installation

- 1) Feed cord through conduit to junction box, leaving at least 59 inches (1500mm) of cord at the light fixture to coil around the back of the light, such that the light fixture would be brought back to the pool deck for service.
- 2) Make the wire connection to the junction box.
- 3) Insert the entire underwater light fixture into the niche. In order to obtain good pool lighting it is important that the company logo of Emaux of the lid is located on the 6 o'clock position.
- 4) Screw in the two M6 x 75 screws on the lid until the fastening dog is secured in the inner walls of the niche as shown in figure 7.

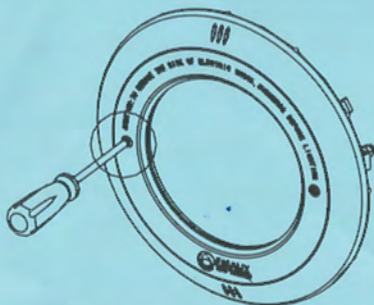


Figure 7

- 5) Before operating the light for more than 10 seconds, fill the pool with water until the underwater light is completely submerged in water. To check for proper operation, turn on main street or circuit breaker as well as the switch that operates the underwater light itself.

Lamp Replacement

- 1) To remove the underwater light to the pool deck, loosen the two screws on the lid until the fastening dog yields sufficiently so that the underwater light unit can be separated from the niche.
- 2) Unscrew the 6 nuts which secure the lid to the base of the underwater light as shown in figure 8.

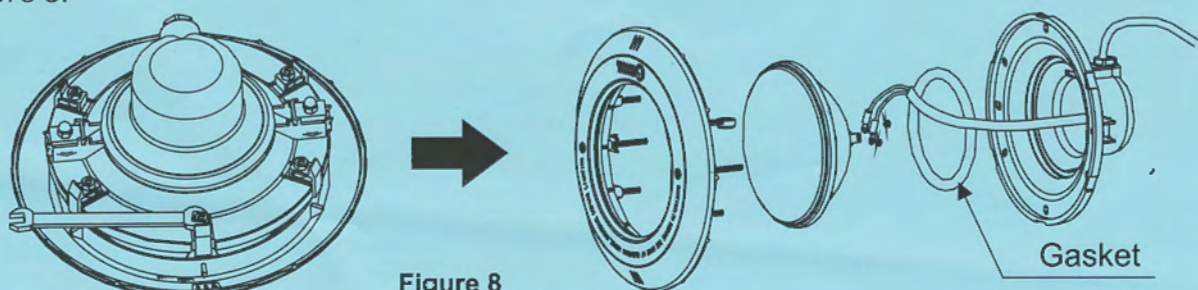


Figure 8

3) Remove the lamp and gasket from the inside of the base of the underwater light by disconnecting the two terminals, loosening the two screws which secure them to the lamp, see Figure 9.

4) Change the lamp and assemble the Underwater light, in the opposite order described, taking special care to:

Ø Connect the cable terminals to the lamp, using the 2 screws supplied with the lamp, see Figure 10.

Ø Fully centre the gasket in its seat.

Ø Firmly tighten the nuts.

Ø Before lamp replacement, ensure the power to the underwater light is cut off.

Ø In order to ensure full water tightness, Discard the old Gasket and replace it with a new one.

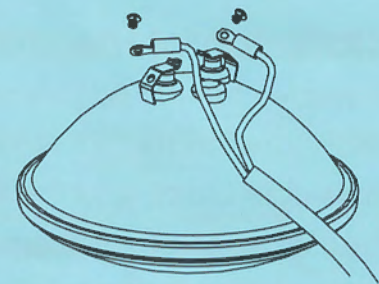


Figure 9

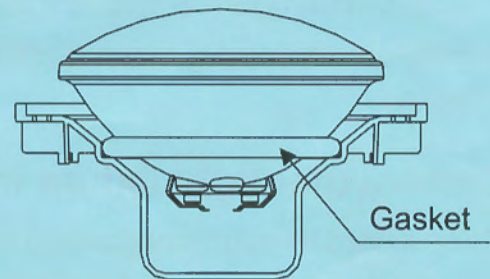
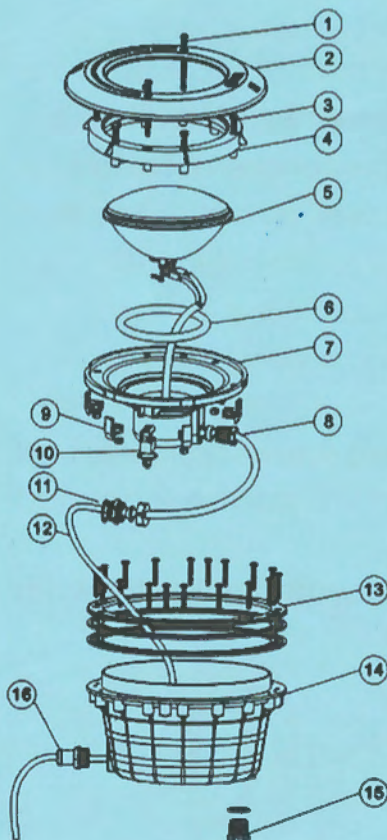


Figure 10

REPLACEMENT PARTS



Key No.	Part No.	Description	Qty
1	03011326	M6*80 Screws	2
2	01050025	Plastic Lid (Blank)	1
2	01050008	Plastic Lid (EMAUX)	1
2	89041609	Stainless Steel Lid (EMAUX)	1
2	89041610	Stainless Steel Lid (Blank)	1
3	03011327	M6*55 Hexagon Head Screws	6
4	01100011	Face Ring	1
5	04011004	PAR56 Light Bulb (Yellow Light) (Standard Bulb)	1
5	04011043	Par56 252 LED Bulbs (White-Colour)	1
5	04011044	Par56 252 LED Bulbs (Blue Colour)	1
5	04011045	Par56 252 LED Bulbs (With Remote Control)	1
5	04011056	Par56 (252 LED Bulbs) 12V/16W (Automatic Colour Change)	1
5	04011047	Par56 144 LED Bulbs (White Colour)	1
5	04011048	Par56 144 LED Bulbs (Blue Colour)	1
5	04011049	Par56 144 LED Bulbs (Auto Colour Change)	1
6	02020038	Waterproof O-Ring for bulb	1
7	01230003	Waterproof Cover	1
8	89041601	Waterproof O-Ring with Tooth Head for Cable	1
9	89041602	Nut Fitting	6
10	89041603	Fastening Dog	2
11	89041604	Water Joint Fittings for Cable	1
12	89041606	NP300 Lights Cable 2.5m	1
13	89041608	Vinyl Pool fitting for NP300	1
14	01050010	NP300 Lights Niche	1
15	89041605	Plug with O-Ring	1
16	01171106	Joint for wire & pipe	1